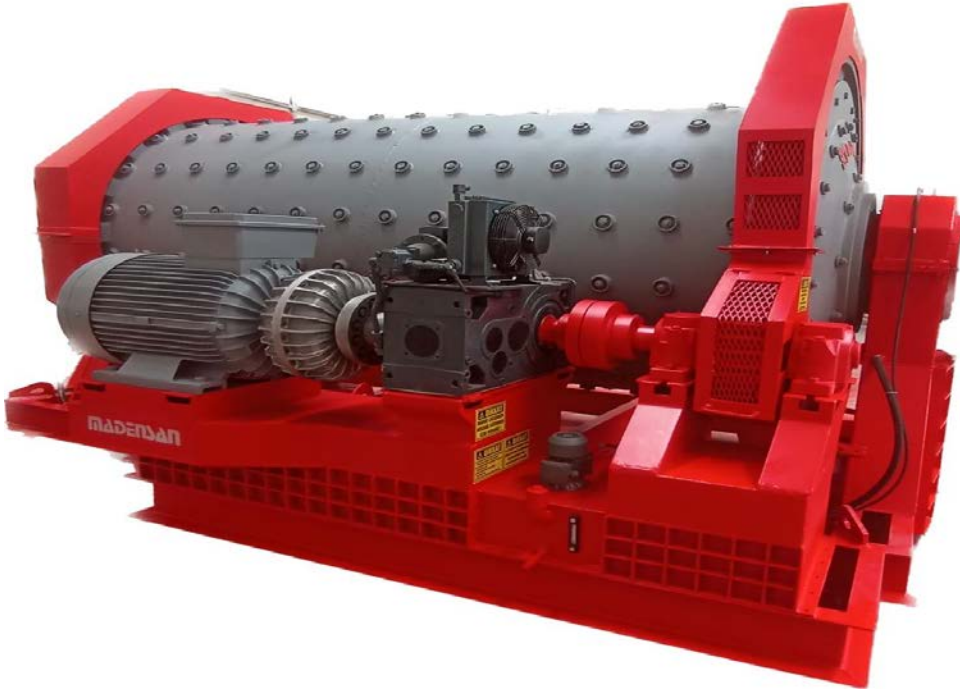


## PRODUCT CATALOG 2024



**MADENSAN MAKİNE VE MADENCİLİK A.Ş**

Saray Mahallesi, 143. Sk No:6 Kazan-ANKARA/TÜRKY

Telephone:+90 312 395 9977 +90 312 395 9976 Whatsapp +90 534 022 1972

[www.madensan.com.tr](http://www.madensan.com.tr) [madensanmakine@hotmail.com](mailto:madensanmakine@hotmail.com)

Sayfa 1 / 34

**STONE FEEDER**



	Order	Dimension (Cubic Meters)	Capacity Ton/Hours	Power KW	Feature
<b>1- STONE FEEDER</b>	1	12M3	30 T/H	2	Stone feeder
	2	18M3	60 T/H	2,2	"
	3	25M3	90 T/H	2X2	"
	4	35M3	150 T/H	2X2	"
	5	40M3	220 T/H	4X2	"
	6	50M3	300 T/H	4X2	"
	7	Special Models			"

**PRİMARY JAW CRUSHER**



	Order	Dimension mm	Capacity Ton/Hours	Power KW	Feature
<b>2- PRİMARY JAW CRUSHER</b>	1	400X250	30 T/H	22	Hard rock crusher
	2	600X380	60 T/H	30	"
	3	900X650	90 T/H	75	"
	4	1100X850	150 T/H	132	"
	5	1400X1100	250 T/H	185	"
	6	Special Models			"

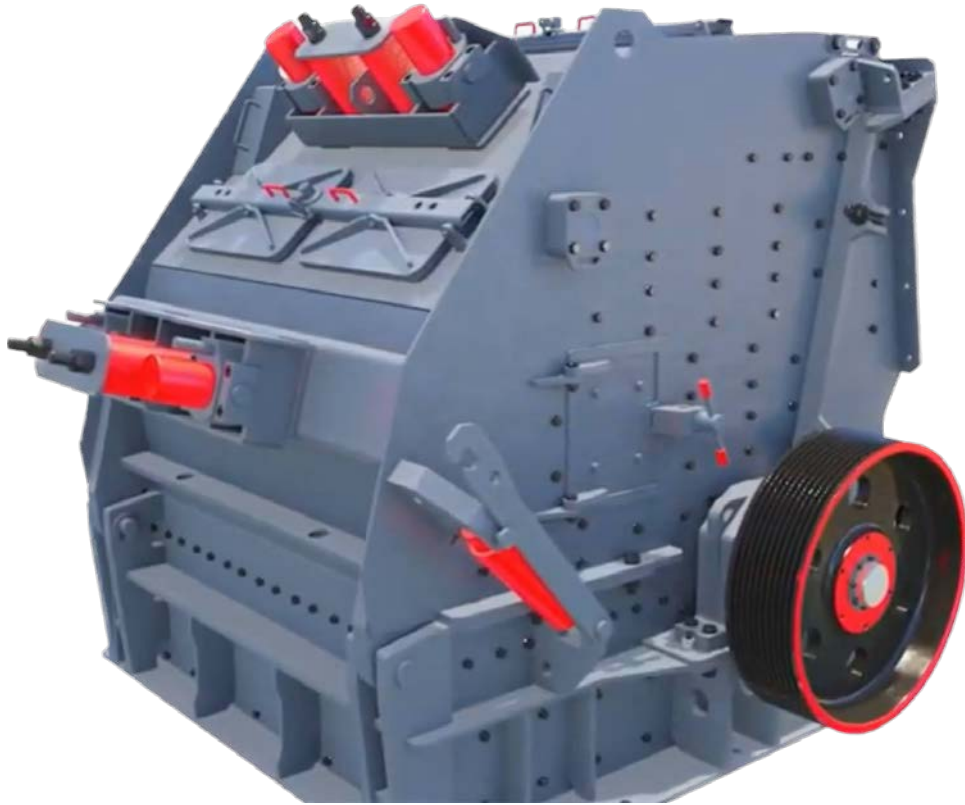
**SECONDARY JAW CRUSHER**



	<b>Order</b>	<b>Dimension mm</b>	<b>Capacity Ton/Hours</b>	<b>Power KW</b>	<b>Feature</b>
<b>3- SECONDARY JAW CRUSHER</b>	1	400X200	30 T/H	11	Hard rock crusher
	2	600X200	60 T/H	22	"
	3	900X200	90 T/H	30	"
	4	1100X250	150 T/H	75	"
	5	1400X250	250 T/H	90	"
	6	Special Models			"



**PRİMARY İMPACT CRUSHER**



	Order	Dimension	Capacity Ton/Hours	Power KW	Feature
<b>4- PRİMARY İMPACT CRUSHER</b>	1	950X400	30 T/H	45	Soft Stone Crusher
	2	950X650	60 T/H	55	„
	3	1100X1200	90 T/H	110	„
	4	1250X1400	150 T/H	132	„
	5	1250X1600	250 T/H	180	„
	6	Special Models			„

**VİBRATİNG SCREEN**



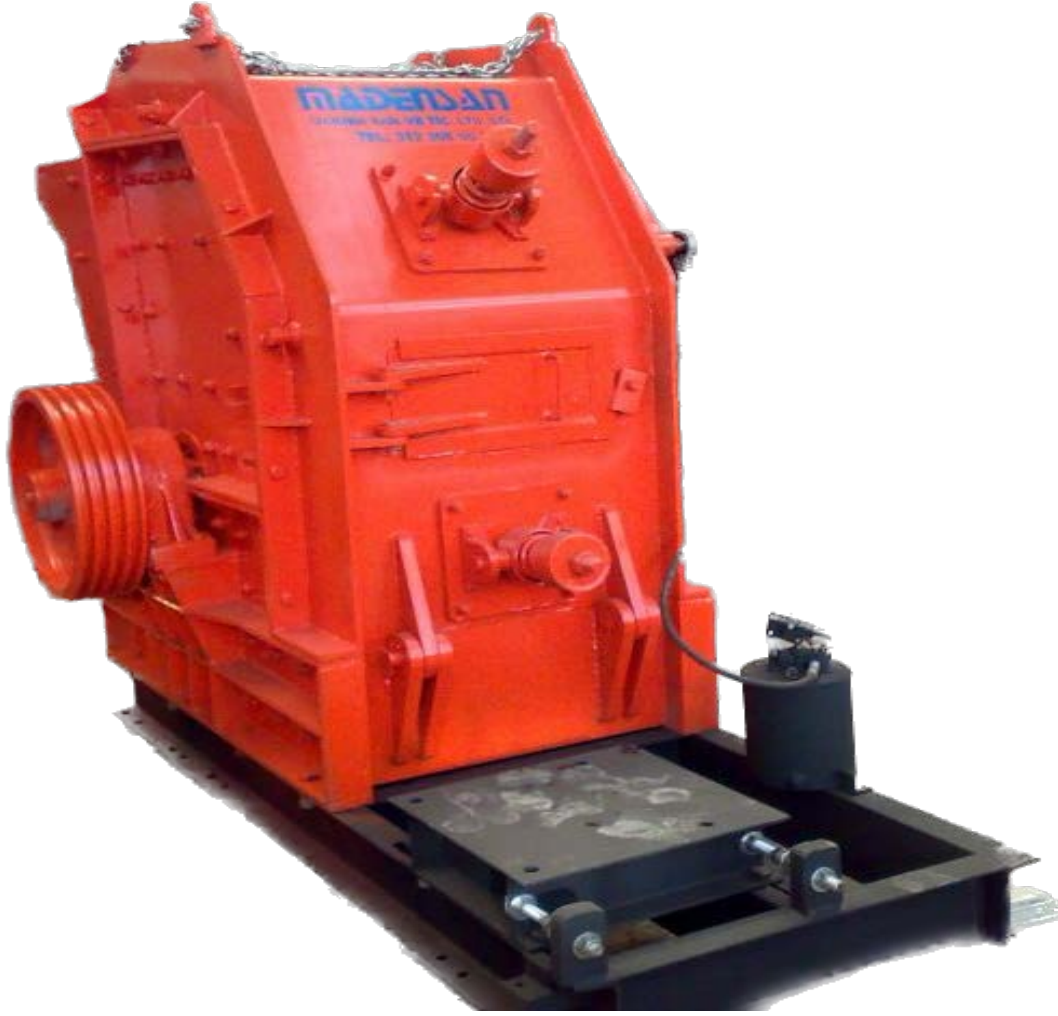
	Order	Dimension mm	Capacity Ton/Hours	Power KW	Feature
<b>5- VİBRATİNG SCREENS</b>	1	1000X2000	30 T/H	2,2	Aggregate classification
	2	1200X3000	60 T/H	5,5	„
	3	1200X4000	80 T/H	5,5	„
	4	1600X5000	100 T/H	15	„
	5	2000X6000	150 T/H	22	„
	6	2000X7000	250 T/H	22	„
	7	2200X7000	300 T/H	30	„

**SECONDARY İMPACT CRUSHER**



	Order	Dimension mm	Capacity Ton/Hours	Power KW	Feature
<b>6- SECONDARY İMPACT CRUSHER</b>	1	1100X1000	60 T/H	110	Stream Gravel Crusher
	2	1250X1300	150 T/H	160	„
	3	1400X1500	250 T/H	250	„

**TERTİARY CRUSHER**



	Order	Dimension mm	Capacity Ton/Hours	Power KW	Feature
<b>7- TERTİARY İMPACT CRUSHER</b>	1	400X950	30 T/H	45	Soft Stone Crusher/Sand Machine
	2	650X950	60 T/H	55	„
	3	1150X1000	90 T/H	110	„
	4	1250X1100	150 T/H	132	„
	5	1650X1250	250 T/H	180	„
	6	Special			

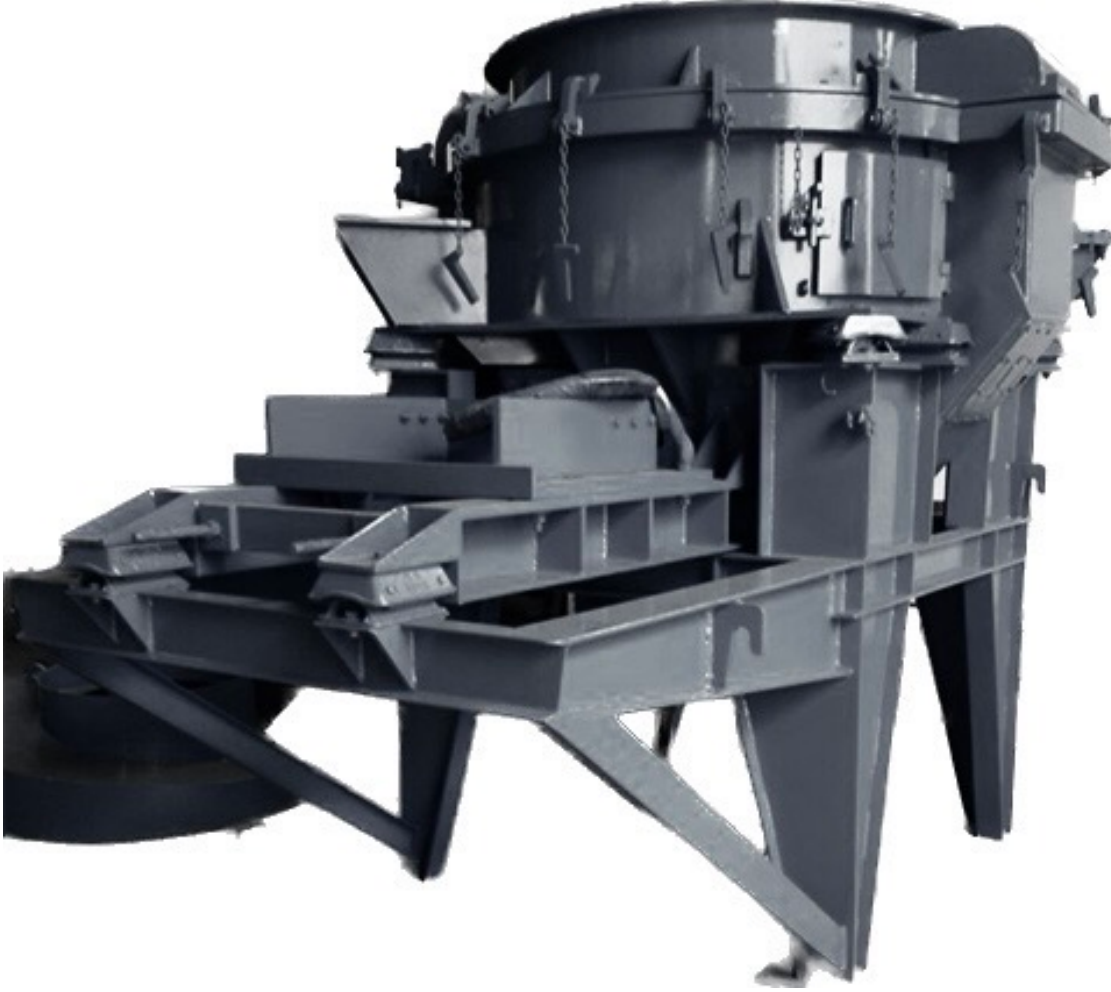


**CUBİTZ CRUSHER**



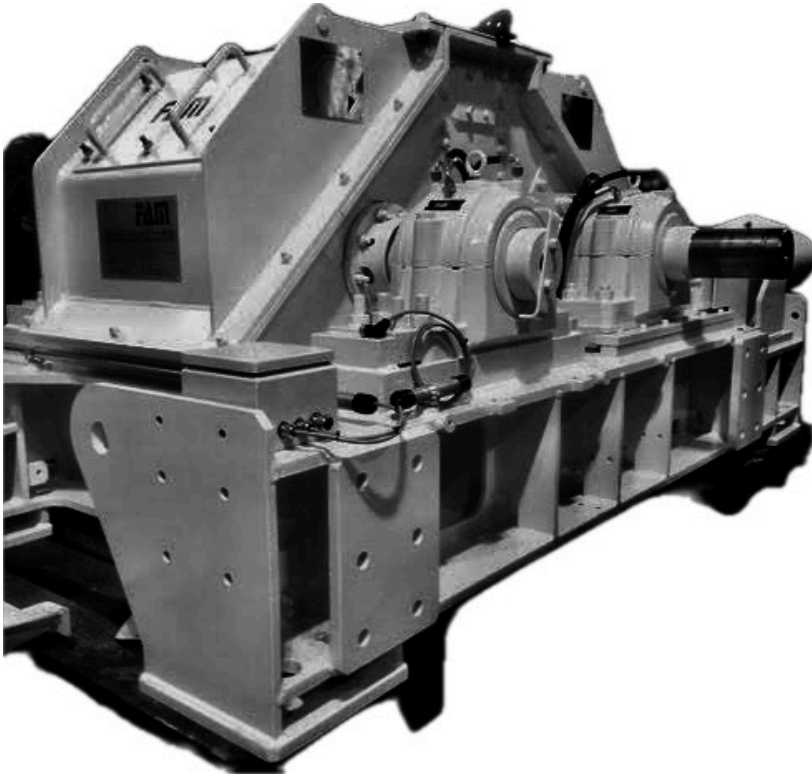
<b>8- CUBİTZ İMPACT CRUSHER</b>	<b>Order</b>	<b>Dimension mm</b>	<b>Capacity Ton/Hours</b>	<b>Power KW</b>	<b>Feature</b>
	1	950X650	60 T/H	55	Soft Stone Crusher
	2	1100X1200	90 T/H	75	„
	3	1250X1400	150 T/H	132	„

**VERTİCAL SHAFT CRUSHER**



9- VERTİCAL SHAFT CRUSHER	Order	Dimension mm	Capacity Ton/Hours	Power KW	Feature
	1	VS-700	40 T/H	90	Soft Stone Crusher
	2	VS-900	60 T/H	132	„
	3	VS-1100	90 T/H	160	„

**ROLLER CRUSHER**



<b>10-ROLLER CRUSHER</b>	<b>Order</b>	<b>Dimension mm</b>	<b>Capacity Ton/Hours</b>	<b>Power KW</b>	<b>Feature</b>
	1	400X450	30 T/H	45	Soft Stone Crusher
	2	600X650	60 T/H	55	„
	3	1000X1050	90 T/H	110	„

**HUMMER CRUSHER**



	Order	Dimension mm	Capacity Ton/Hours	Power KW	Feature
<b>11- HUMMER CRUSHER</b>	1	400X950	30 T/H	45	Soft Stone Crusher
	2	650X950	60 T/H	55	„
	3	1150X1000	90 T/H	110	„
	4	1250X1100	150 T/H	132	„
	5	1450X1100	250 T/H	180	„
	6	Special			„

**MOBİLE PRİMARY JAW CRUSHER**



	Order	Dimension mm	Capacity Ton/Hours	Power KW	Feature
<b>12- MOBILE PRIMARY JAW CRUSHER</b>	1	600X380	60	30	Mobile Crusher for hard rock
	2	900X650	90	75	„
	3	1100X850	150	132	„
	4	Special			„



**SCREW WASHER**



	<b>Order</b>	<b>Dimension mm</b>	<b>Capacity Ton/Hours</b>	<b>Power KW</b>	<b>Feature</b>
<b>13- SCREW WASHERS</b>	1	500X5000	60 T/H	2X 4	Sand washer
	2	600X6000	90 T/H	2X 5,5	„
	3	1000X6000	150 T/H	11	„
	4	1500X7000	250 T/H	22	„
	5	1800X7000	350 T/H	30	„
			Special		

**BUCKET WASHER**



	<b>Order</b>	<b>Dimension (Number of Buckets)</b>	<b>Capacity Ton/Hours</b>	<b>Power KW</b>	<b>Feature</b>
<b>14- BUCKET WASHER</b>	1	14	20 T/H	5,5	Sand Washer
	2	28	50 T/H	11	„
	3	42	100 T/H	15	„
	4	56	200 T/H	30	„
	5	Special			„

**ROTARY DRUM WASHER**



	Order	Dimension mm	Capacity Ton/Hours	Power KW	Feature
<b>15- ROTARY DRUM WASHER</b>	1	1400X4000	30 T/H	11	Sand Washer
	2	1600X5000	75 T/H	22	„
	3	1800X6000	150 T/H	30	„
	4	Special			„

**ORE SİLO**



	Order	Dimension mm	Capacity Ton/Hours	Power KW	Feature
16- ORE SİLO	1	10M <sup>3</sup>	20 T/H	*	Ore Stock
	2	20M <sup>3</sup>	50 T/H	*	„
	3	50M <sup>3</sup>	100 T/H	*	„

**CONVEYOR BELT**



	Order	Dimension Width/12Meter	Capacity Ton/Hours	Power KW	Feature
<b>17- CONVEYOR BELT</b>	1	400	40T/H	2,2	Aggregate carrier
	2	500	50T/H	3	„
	3	600	60T/H	3	„
	4	700	90T/H	3	„
	5	800	150T/H	5,5	„
	6	1000	250T/H	11	„
	7	1500	350T/H	15	„



**JIGGING MACHINES**



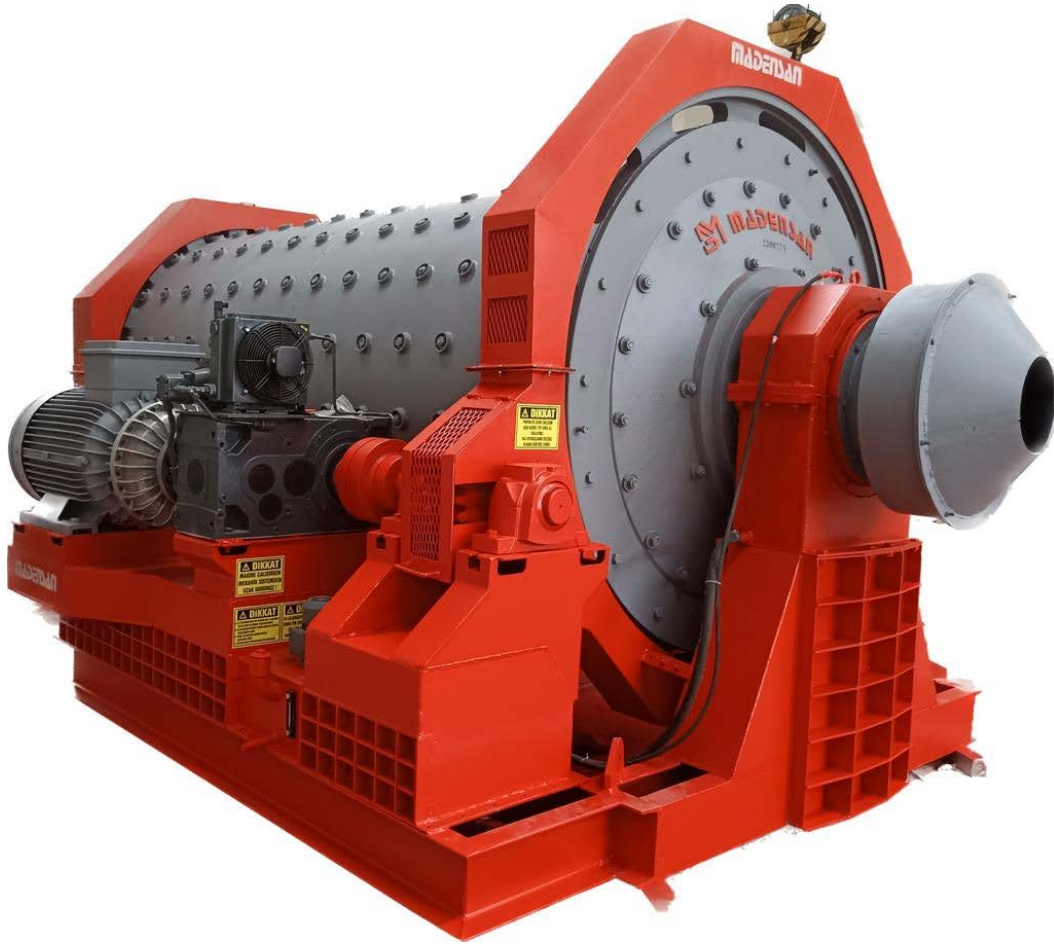
	Order	Dimension (Cells)	Capacity Ton/Hours	Power KW	Feature
<b>18- JIGGING MACHINE</b>	1	500X500	2-4 T/H	5,5	Ore enrichment by gravity
	2	1000X1000	6-12 T/H	7,5	„
	3	1500X1500	15-30 T/H	15	„
	4	Special			„

**MOBİLE JİGGİNG PLANT**



	Order	Dimension mm	Capacity Ton/Hours	Power KW	Feature
20- MOBİLE JİGGİNG PLANT	1	3000X12000	50-15T/H	160	Ore enrichment by gravity

**BALL MİLL**



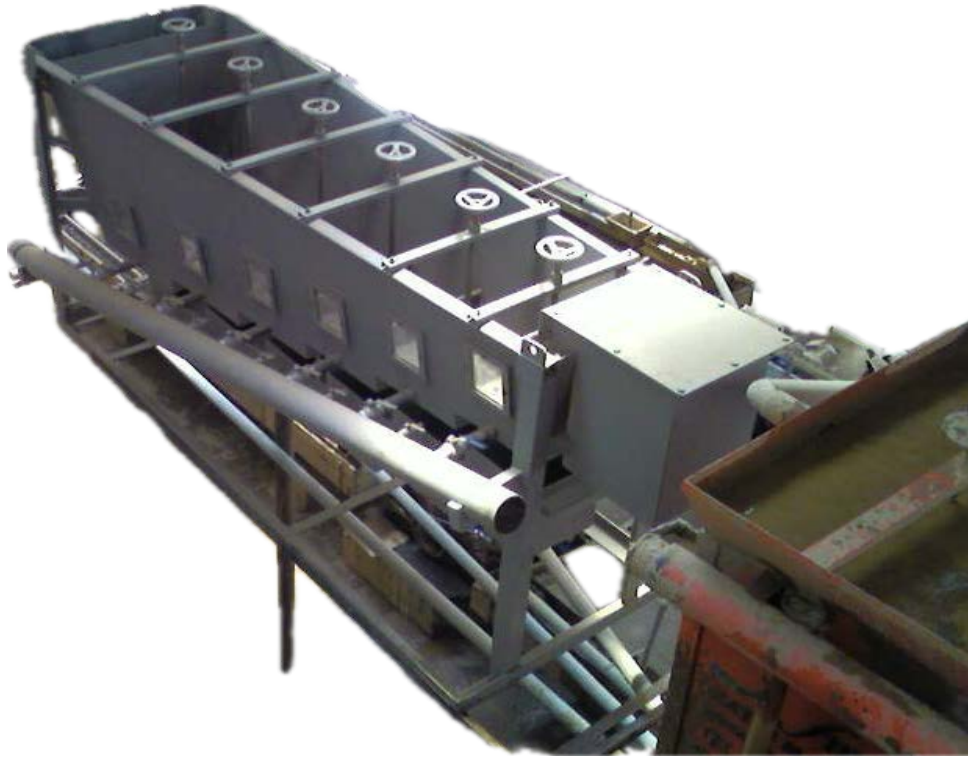
	Order	Dimension Diameter/length	Capacity Ton/Hours	Power KW	Feature
20- MILLS	1	1200X2000	2T/H	30	Ball Mill/Micronized grinding
	2	1400X2500	5 T/H	45	"
	3	1600X3000	7,5 T/H	75	"
	4	1800X3200	10 T/H	90	"
	5	2000X4000	20 T/H	110	"
	6	2200X5000	30 T/H	132	"
	7	2000X6000	40 T/H	185	"
	8	2200X6000	50 T/H	250	"
	9	2400X7000	80 T/H	315	"
	10	Special	*	*	"

**CLASSİFİER**



	<b>Order</b>	<b>Dimension</b>	<b>Capacity Ton/Hours</b>	<b>Power KW</b>	<b>Feature</b>
<b>21- CLASSIFIER</b>	1	500X5000	10T/H	4	Sand Classifier
	2	600X6000	15T/H	5,5	„
	3	800X6000	20T/H	7,5	„
	4	1000X8000	50T/H	15	„

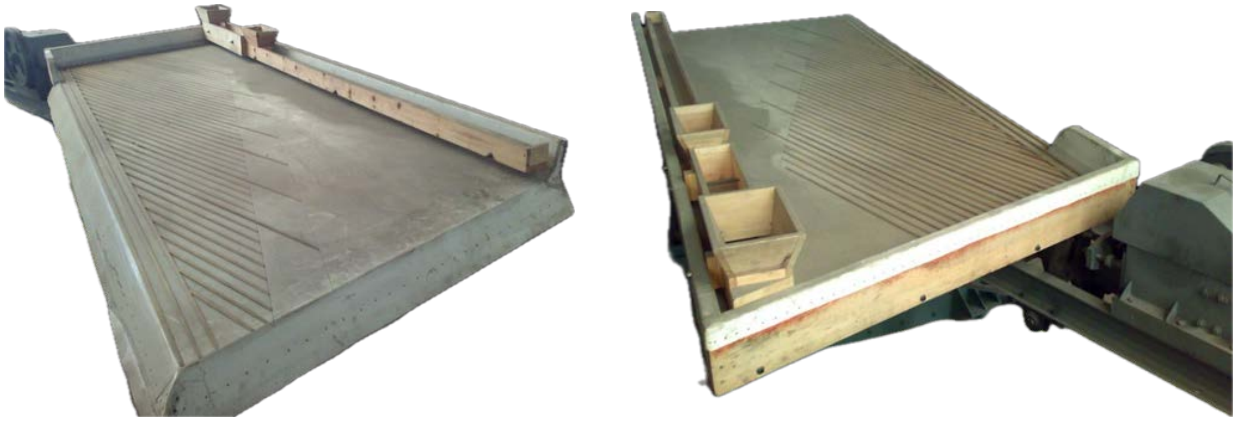
**HYDROSIZER**



<b>22- HYDROSIZER</b>	<b>Order</b>	<b>Dimension mm</b>	<b>Capacity Ton/Hours</b>	<b>Power KW</b>	<b>Feature</b>
	1	35X35X4Cells	10 T/H	*	Sand Classifier
	2	45X45X5Cells	10 T/H	*	„
	3	60X60X7Cells	30 T/H	*	„
	4	Special	*	*	„



**SHAKİNG TABLES**



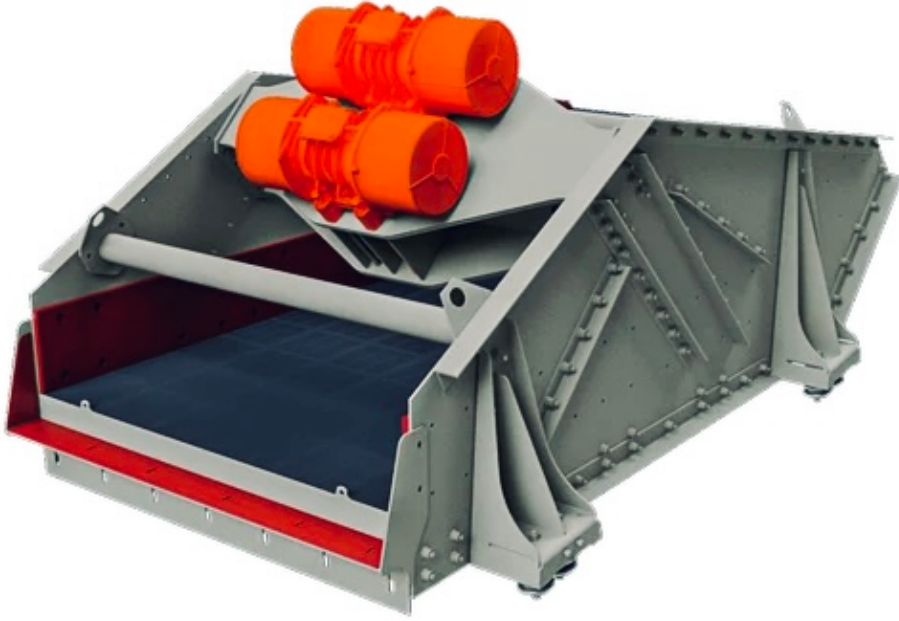
	Order	Dimension mm	Capacity Ton/Hours	Power KW	Feature
<b>23- SHAKİNG TABLES</b>	1	1000X2500	0-0,50	1,5	Ore enrichment by gravity
	2	1200X3000	0,50-0,100	1,5	„
	3	1400X3500	0,100-0,200	1,5	„
	4	1600X4000	0,200-0,750	2,2	„
	5	1800X4200	0,300-1,5	2,2	„
	6	Special	*	*	„

FLOTATION CELLS



	Order	Dimension mm	Capacity Ton/Hours	Power KW	Feature
<b>24- FLOTATION CELLS</b>	1	750X750	0,50-0,200	3	Mineral enrichment by flotation
	2	1000X1000	0,100-0,200	7,5	"
	3	1250X1250	0,200-0,300	11	"
		1500X1500	0,300-1	11	"

**DEVATERİNG SCREEN**



	Order	Dimension mm	Capacity Ton/Hours	Power KW	Feature
<b>25-DEWATERİNG SCREEN</b>	1	1000x2000	10T/H	2x1,5	Sand Dewatering
	2	1400x2400	20TH	2x2	„
	3	1600x2400	50T/H	2x3	„
	4	Special	*	*	„

**CONDİTIONER**



	Order	Dimension	Capacity Ton/Hours	Power KW	Feature
<b>26- CONDİTIONER</b>	1	1200X1500	10 T/H	110	Pulp Mixer
	2	1800X2000	20 T/H	200	„
	3	2400X2000	50 T/H	250	„
	4	Special	*	*	„

**THICKENER**



	Order	Dimension mm	Capacity Ton/Hours	Power KW	Feature
<b>27- THICKENER</b>	1	2000X1500	50 T/H	5,5	Precipitation
	2	3000X1500	10 T/H	11	„
	3	6000X2000	25 T/H	22	„
	4	Special	*	*	„

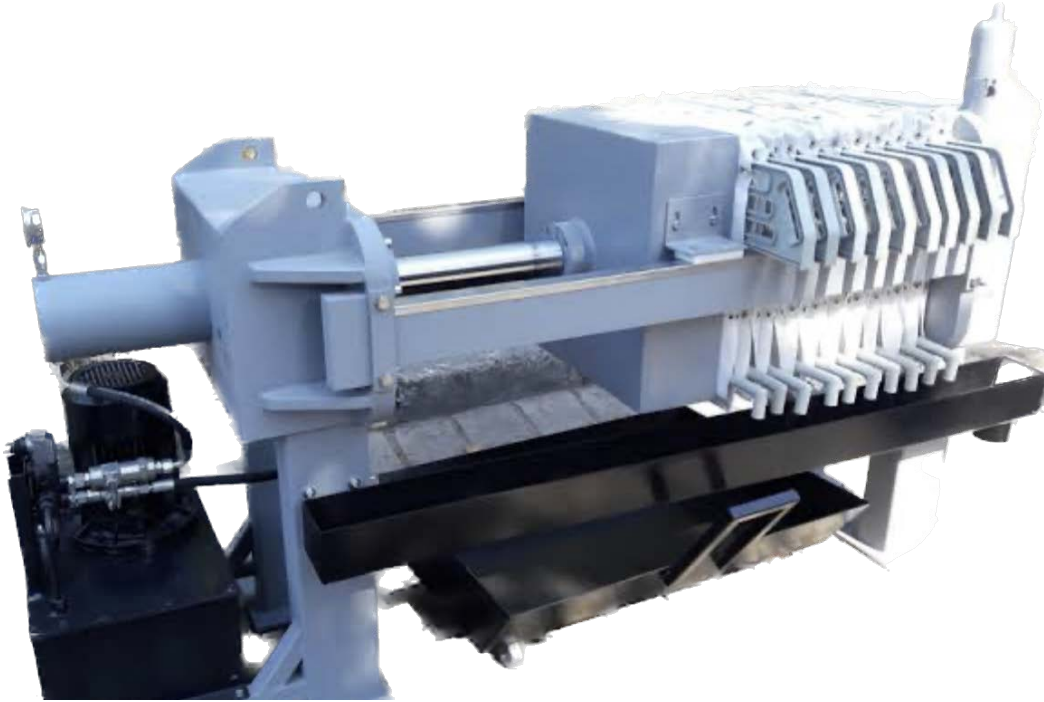
**DRUM VACUUM FİLTER**



	Order	Dimension mm	Capacity Ton/Hours	Power KW	Feature
<b>28- VACUUM DRUM FİLTER</b>	1	1000x1800	5T/H	15	Ore Dewatering
	2	1200x2200	10TH	20	„
	3	1400x2200	20T/H	30	„
	4	Special	*	*	„



**PRESS FİLTER**



	<b>Order</b>	<b>Dimension mm</b>	<b>Capacity Ton/Hours</b>	<b>Power KW</b>	<b>Feature</b>
<b>29- PRESS FİLTER</b>	1	4X45	4 T/H	4	Ore Dewatering
	2	8X45	10 T/H	7,5	„
	3	12X45	15 T/H	15	„
	4	Special	*	*	„

**ORE DRYİNG OVEN**



	Order	Dimension mm	Capacity Ton/Hours	Power KW	Feature
<b>30- MINE DRYING OVENS (Rotary)</b>	1	1000X6000	5 T/H	5,5	Mine Drying
	2	1400X6000	8 T/H	7,5	„
	3	1800X16000	20 T/H	11	„
	4	2000X20000	40 T/H	18,5	„
	5	2200X24000	60 T/H	22	„
	6	3000X30000	120 T/H	30	„
	7	Special Models	*	*	„

**ORE CALCINATION OVEN**



	Order	Dimension mm	Capacity Ton/Hours	Power KW	Feature
<b>31- CALCINATION OVENS (Rotary) (Welz oxide oven)</b>	1	1200X12000	3 T/6H	22	Mine Roasting
	2	1400X12000	5 T/6H	55	„
	3	1400X16000	10 T/6H	90	„
	4	1600X18000	20 T/6H	132	„
	5	1800X18000	35T/6H	160	“
	6	2000X20000	60T/6H	185	“
	7	3000X50000	120T/6H	315	„
			Special	*	*

**BLAST OVEN**



	Order	Dimension-mm (Circumferencial) + (Vertical)	Capacity Ton/Hours	Power KW	Feature
<b>32 BLAST OVENS (Vertical)</b>	1	1200X6000	12T/6H	11	Ore Smelting
	2	1800X12000	20 T/6H	30	„
	3	2400X16000	35 T/6H	45	„
	4	3600X16000	50 T/6H	75	„
	5	5000X18000	70T/6H	90	„
	6	8000X24000	100 T/6H	110	„
	7	12000X32000	150T/6H	160	„
	8	Special Models	*	*	„

**ELECTRICAL PANEL**



<b>33-ELECTRICAL PANEL</b>	<b>Order</b>	<b>Dimension mm</b>	<b>Capacity</b>	<b>Power KW</b>	<b>Feature</b>
	1	Specific to the facility	*	*	Electrical Entecration Panel